

SOUND POWERED TELEPHONE SYSTEMS

CONNECTORS

TYPE: JACK-MG

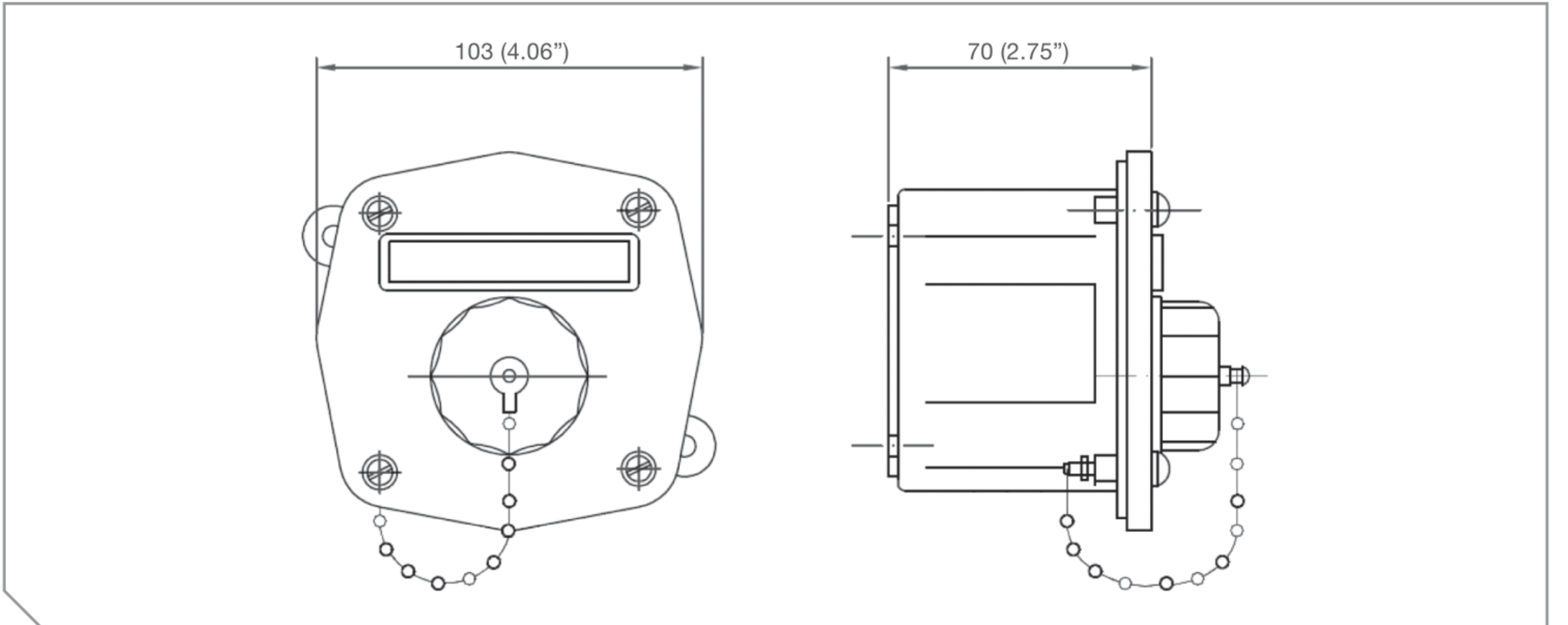
MODEL: JACK-1
(Jack box)

FEATURES

- Jack-box for connection with: TA-PC telephone (headchest set).
- Material: brass.

TECHNICAL SPECIFICATIONS

Assembly	Bulkhead
Weight	Approx 0.75 kg
IP-rating	66



Edition: August 2024