



SINGLE OPERATOR MFC06 CONSOLE

MFC06 is a multifunctional, single operator console designed for military use.

direct coupling of the base module with the floor for the resistance to shocks and vibrations is obtained by making the desk module floating through suitable shock absorbers.



FEATURES

- ◆ Floating desk
- ◆ Right/left operational configurability
- ◆ Remote console
- ◆ The console's shape allows to easily create different arrangement settings

KEY BENEFITS

- ◆ Modularity
- ◆ Versatility
- ◆ Easy transportability and installation



SINGLE OPERATOR MFC06 CONSOLE

TECHNICAL DESCRIPTION

PHISICAL CHARACTERISTICS

| | |
|--------------------|----------------------|
| Dimensions (HxWxD) | 1298 x 1289 x 892 mm |
| Weight | ≤ 100 kg ± 5% |

ELECTRICAL CHARACTERISTICS

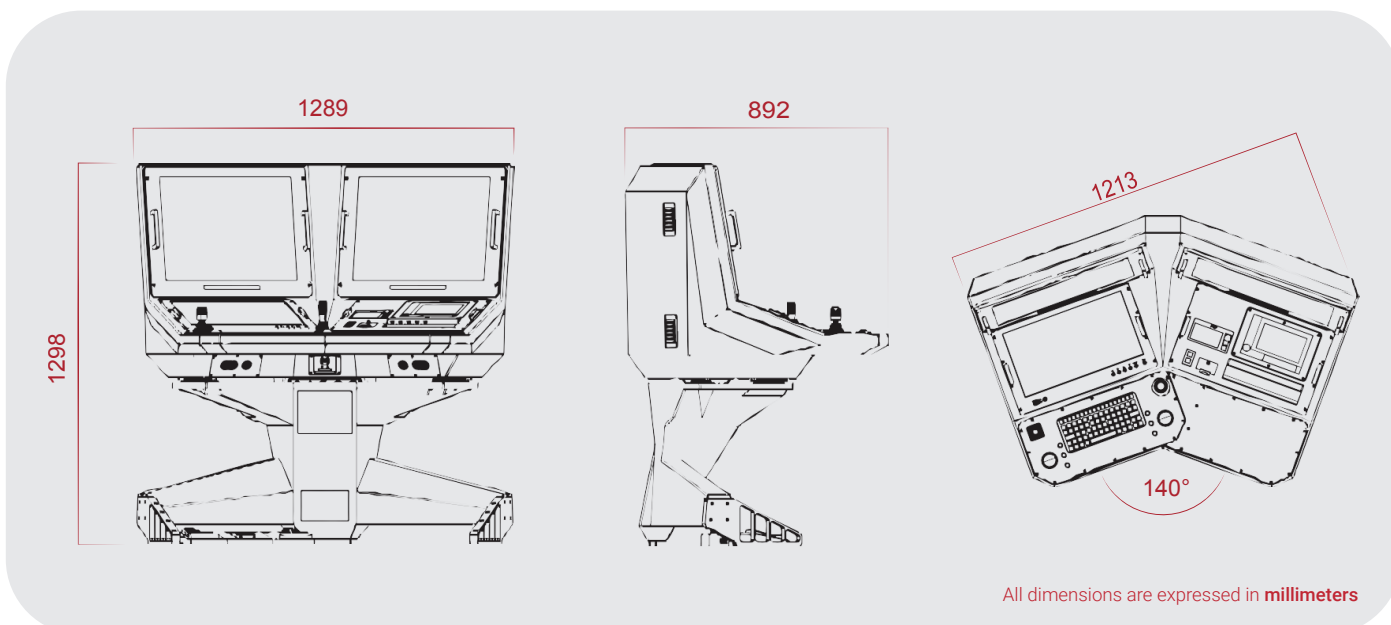
| | |
|----------------|--------------|
| Power Supply | 90 ÷ 264 Vac |
| Frequency | 47 ÷ 63 Hz |
| Absorbed Power | < 300 W |

DESIGNED TO MEET

| | |
|----------------------------|---|
| Shock | MIL-STD-810G Change 1 mthd 516.5 Proc I |
| Vibrations | MIL-STD-167-1A 0.25 mm da 5 a 14 Hz 0.2g da 14 a 100 Hz |
| Ambient Pressure | MIL-HDBK- 2036 |
| Emissions / Susceptibility | MIL-STD-461G RE101 RE102 CE102 RS101 RS103 CS101 CS114 CS116 |
| Acoustic Noise | MIL-STD-1474E |



The MFC is extremely versatile and adaptive, it allows to easily create single, double, multiple operator stations, circular islands, with back-to-back or side-by-side arrangement.



All dimensions are expressed in millimeters