

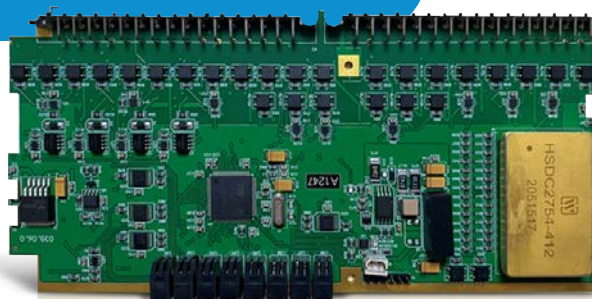


# SYNCHRO - DIGITAL DIGITAL - SYNCHRO CONVERTERS

Converts synchro signals to digital angle information and digital data to synchro signals.

## SYNCHRO - DIGITAL CONVERTER

- ◆ Converts synchro signals to digital angle information.
- ◆ 115 VAC 400 Hz or 115 VAC 60 Hz Ref. Voltage
- ◆ CANBUS interface
- ◆ Optional RS422, TTL, PCI etc. Communication
- ◆ LED indicators
- ◆ Temperature sensor

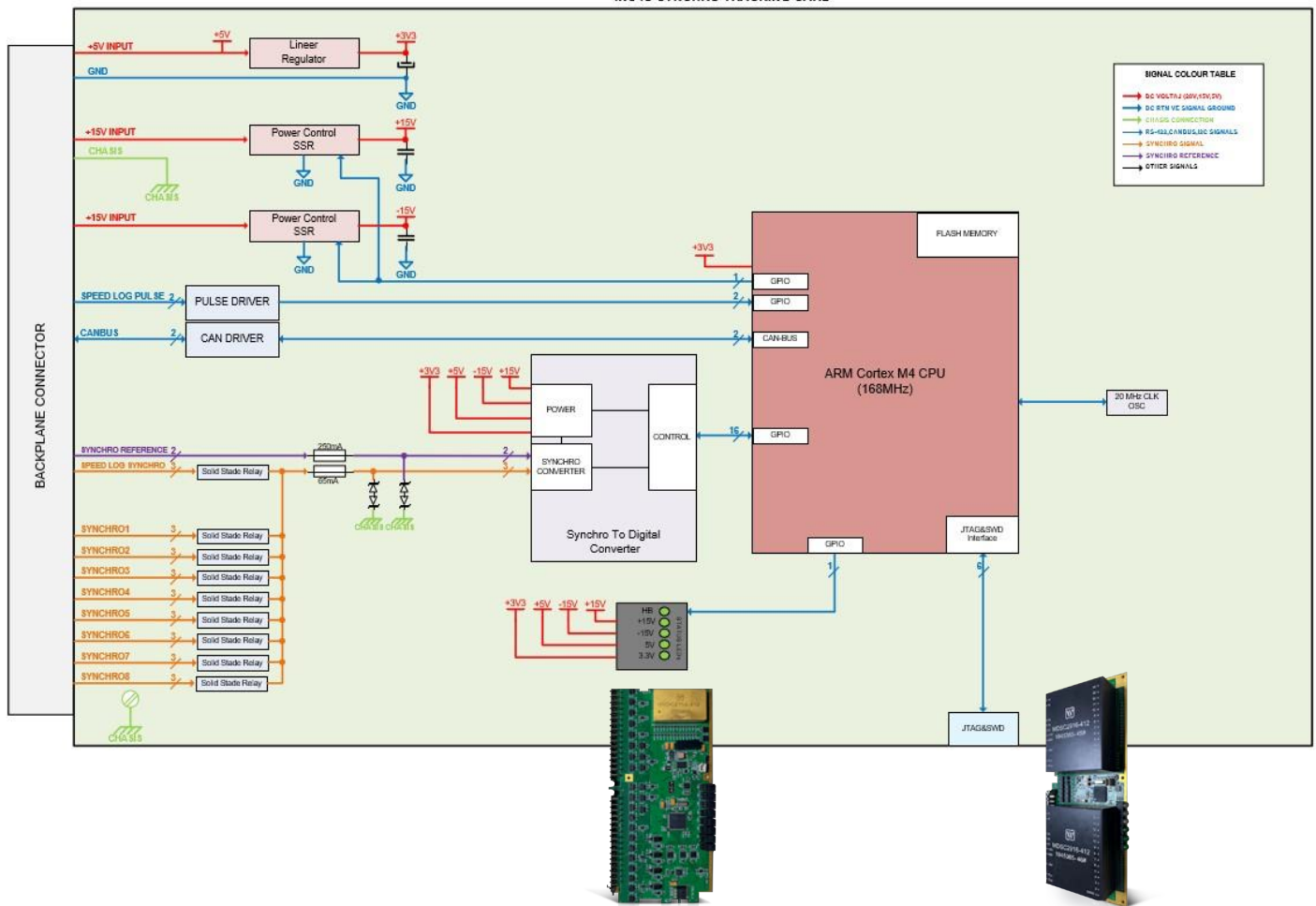


## DIGITAL - SYNCHRO CONVERTER

- ◆ Converts digital angle information to synchro signals.
  - ◆ 2 independent synchro channels
- ◆ 1x, 2x, 4x, 10x, 36x programmable
  - ◆ 115 VAC 50/60 Hz or 400 Hz Ref. Voltage
- ◆ CANBUS interface (Optional RS422, TTL, PCI etc.)
  - ◆ LED indicators
  - ◆ Temperature sensor
- ◆ Microprocessor control

# SYNCHRO - DIGITAL DIGITAL - SYNCHRO CONVERTERS

INS-IU SYNCHRO TRACKING CARD



TECHNICAL SPECIFICATIONS	SYNCHRO - DIGITAL	DIGITAL - SYNCHRO
Power Input	+/- 15 VDC, 5 VDC	+/-15 VDC, 5 VDC
Reference Input	115 VAC 50/60 veyá 400 Hz	115 VAC 50/60 veyá 400 Hz
Synchro Resolution	14 Bit (Optional: 16 Bit - 12 Bit)	14 Bit (Optional: 16 Bit - 12 Bit)
Synchro Output	-	2 Channels Synchro Output(S1,S2,S3) 90 VAC
Synchro Output Power	5 W	5 W
Synchro Input	9 Channels Synchro Input (S1,S2,S3) VAC	-
Interface	CANBUS (Optional: RS422 - TTL - PCI)	CANBUS (Optional: RS422 - TTL - PCI)
Status Indicators	LED	LED
Over Current Protection	Yes	Yes
Temperature Sensor	Yes	Yes
Dimensions (WxHxL)	219 mm x 92 mm x 16 mm	219 mm x 92 mm x 16 mm