

# SUBMARINE RADAR

**BERKIN  
ENGINEERING®**  
*Your Trustworthy Partner On Course Of Success*

The DSR-200 is a next-generation solid-state radar. Especially developed for Submarines which are new building or modernization or retrofit applications.

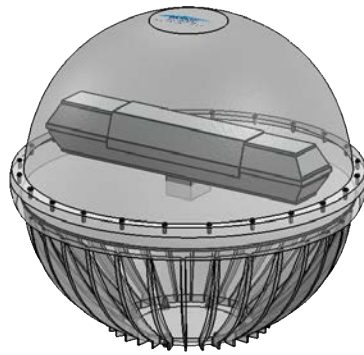
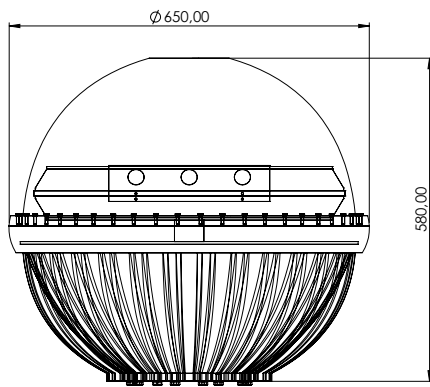
Since there is no pressure-hull penetration; operational use and maintenance/repair activities are fast and very low cost.



The submarine radar is a pulse-compressed X-band transceiver. Output power can be set between 1 to 50 watts by the operator. Slotted the array antenna has very high sensitivity. Low weight and reduced dimensions, provide easy installation on submarine masts.

## EASY INTEGRATION

The submarine radar with tailorable mast interface, has been designed to be integrated to existing and new built submarine platforms. By no pressure-hull penetration, it contributes to the integrity and stiffness. The new tough and pressure resistant dome of the submarine radar, has been designed to ensure the optimal hydrodynamic flow in any operational condition.



# SUBMARINE RADAR

## MAIN FEATURES

Frequency	Programmable between 9300-9500 MHz
Transmission Power	1 to 50 W
Sector Blanking	Up to 10
Maintenance	Not required
Option	Integrated (W)AIS
Targets	Up to 200
Blanking Signal	Yes

## ANTENNA

Type	Slotted Planar array
Horizontal beam width	$\leq 4^\circ$
Vertical beam width	$\leq 25^\circ$
Rotation Speed	22 rpm

## RECEIVER

Sensitivity	$< 122$ dBm
Azimuth Main Beam	$< 5.5$ dB
Elevation Main Beam	$\leq 100$ dB
Rotation Speed	20 MHz
Converter	16-bit ADC

## INTERFACES

RS-232, RS-485, RS-422 (Ethernet optional)

NMEA, BINARY

## ENVIRONMENTAL FEATURES

Operating Temperature	$-25^\circ\text{C}$ to $+55^\circ\text{C}$ - MIL-STD-810G
Storage Temperature	$-30^\circ\text{C}$ to $+70^\circ\text{C}$ - MIL-STD-810G
Humidity-Heat	93% humidity $40^\circ\text{C}$ - MIL-STD-810G
Shock	30 g 11 ms - MIL-STD-810G
Fog	MIL-STD-810G
Vibration	MIL-STD-167-1A. Type I
EMC/EMI	MIL-STD-461G