

MULTIPLEXERS

NS-0208x3

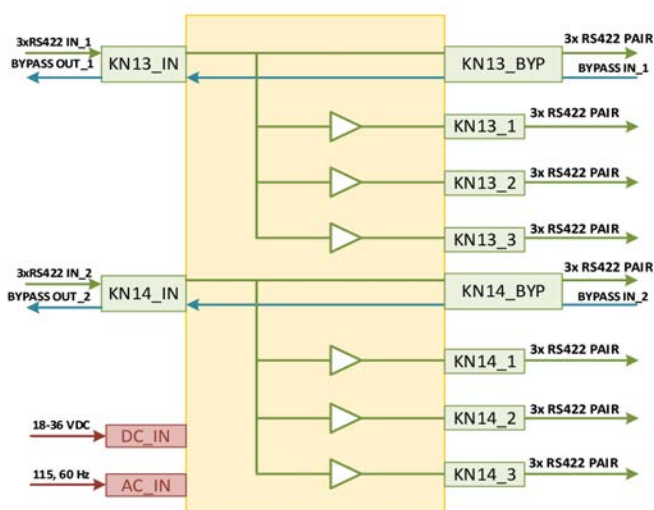


NS-0208x3



NS-0108

- ◆ 16 Mbps data transfer with input and output isolation protection
- ◆ Compliant with Military Environmental Conditions and EMC/EMI requirements.
- ◆ Uninterrupted data transmission over bypass lines during power failure
- ◆ Low capacitance ,single direction high speed protection designed against short circuit, power loss ,induction and lightning surge.



NS-0208x3 has two triple RS-422/485 inputs and eight triple serial RS-422/485 output connectors. It has a connector. NS-0208x3 RS-422/485 Military Multiplexer allows data transfer at desired baud rates up to 16 Mbps.

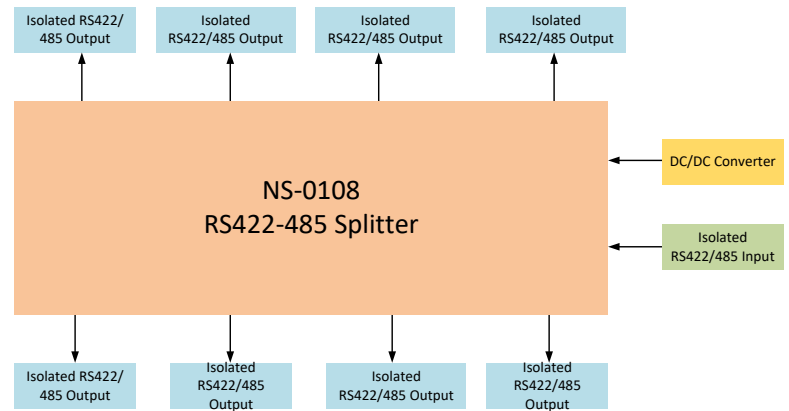
NS-0208x3 RS-422/485 Military Multiplexer contains two bypass lines. It transmits the data received from the KN13/14 IN connector through the KN13/14 BYP connector. Even when the power of the unit is off ,the bypass connection continues uninterrupted data transfer between lines.

MULTIPLEXERS

NS-0208 has dual parallel input line. In case of main line cut off, it automatically switches to back up line

- Low capacitance ,single direction high speed protection designed against short circuit, power loss, induction and lightning surge.
- Data transfer at high speeds up to 16 Mbit
- LED indicators for power and signal status

NS-0108



TECHNICAL SPECIFICATIONS	NS-0108	NS-0208X3
Baud Rate	16 MBps	16 MBps
Power Supply	18 - 36 VDC	18 - 36 VDC / 115 VAC 60 Hz
Power Consumption	3 W max.	30 W max.
Isolated Power Supply	√	√
Isolation Protection	± 15 kV	± 15 kV
Over Current Protection	There is	There is
Operating Temperature Range	-40°C ~ +85°C	-40°C ~ +85°C
IP-Class	IP65	IP66
Colour	RAL 7001	RAL 7001
Dimension (GxYxD)	221,76 x 146 x 55,4 mm	200 x 230 x 120 mm
Data Input	1 x RS422 / 485	2 channels, 3xRS422/485 lines
Data Output	8 x RS422 / 485	3xRS422/485 output and bypass line from each channel
Other Model	NS-0208 Dual Parallel Input Automatic Channel Selection	-
Connector	MIL-STD-38999 MIL-STD-26482	MIL-STD-38999 MIL-STD-26482
Serial Connections	RS-422 / RS-485	RS-422 / RS-485
COMPATIBILITY		
Environmental Conditions	MIL-STD-810G	MIL-STD-810G
EMI/EMC	MIL-STD-461	MIL-STD-461
Vibration	MIL-STD-167-1 Table 1	MIL-STD-167-1 Table 1
Mechanical Shock	MIL-STD-901 Grade-B Class-II. Type-A	MIL-STD-901 Grade-B Class-II. Type-A
Power Supply	MIL-STD-1399 Section 300 (Stanag 1008)	MIL-STD-1399 Section 300 (Stanag 1008)